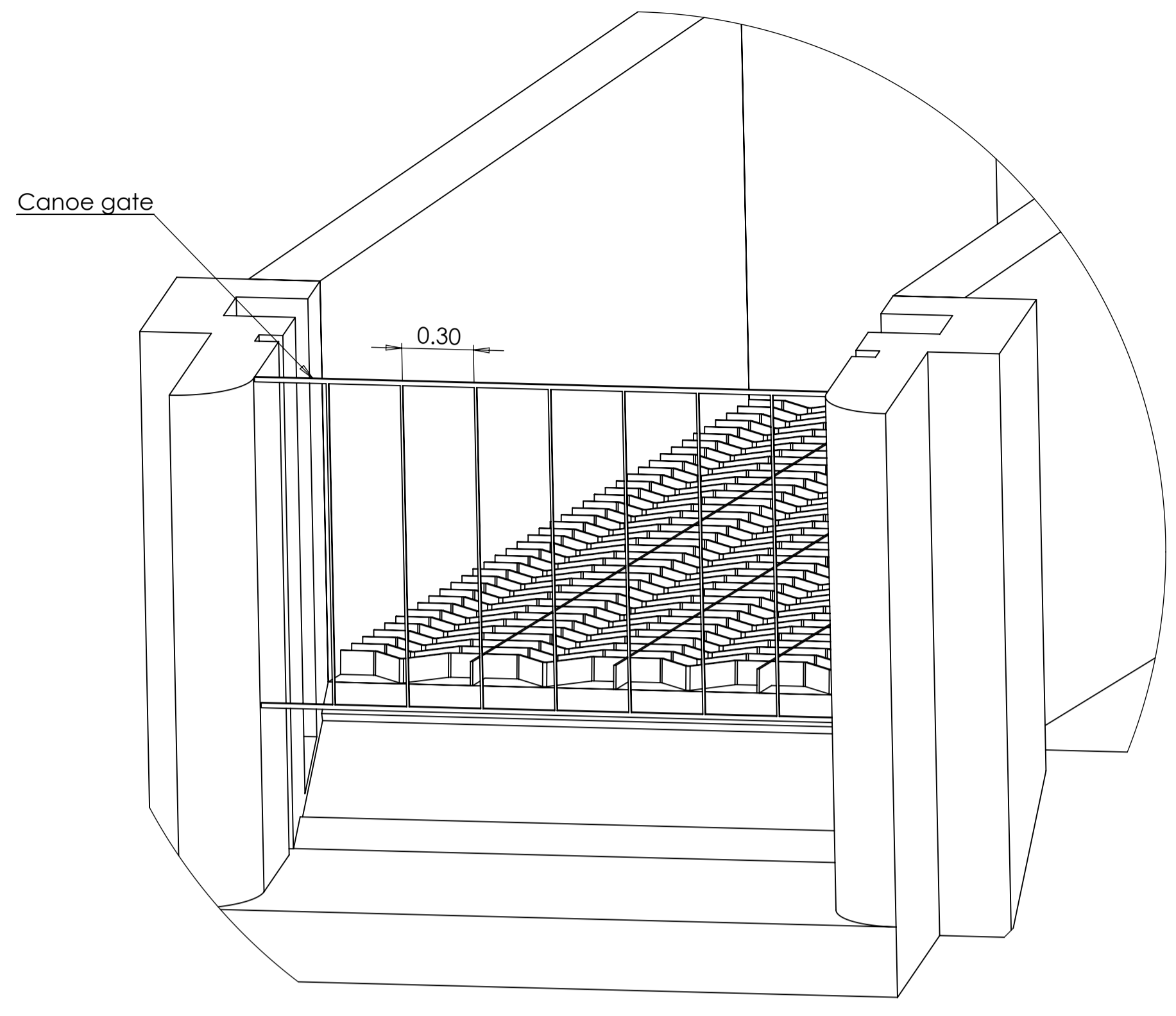


FISHTEK
CONSULTING

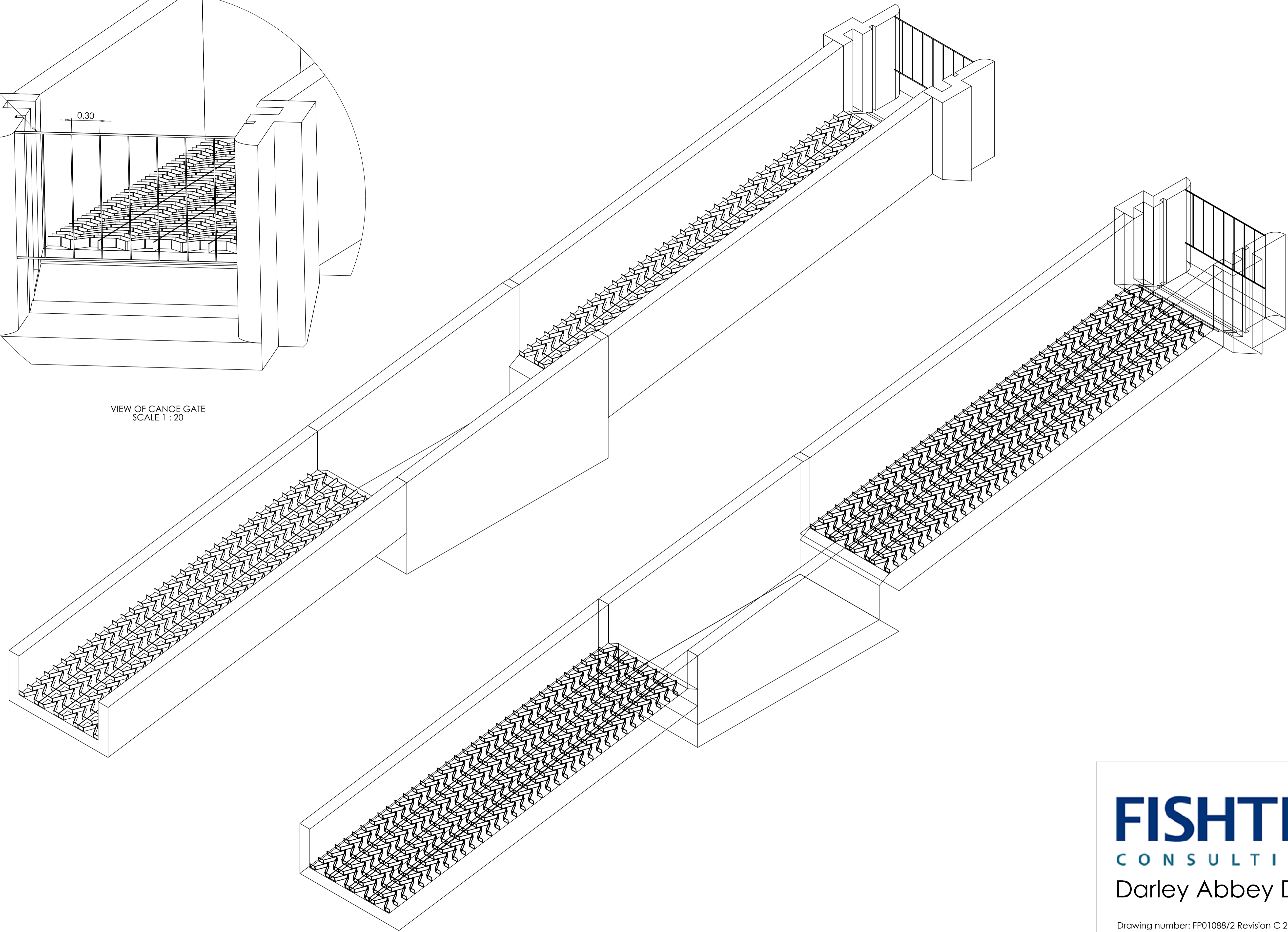
Darley Abbey DRAFT

Drawing number: FP01088/1 Revision C 29/02/12
 Client: Trent Rivers Trust
 Scale 1:40 @ A1
 All dimensions in metres

Drawn: FP
 Checked: TC
 QC: PK



VIEW OF CANOE GATE
SCALE 1 : 20

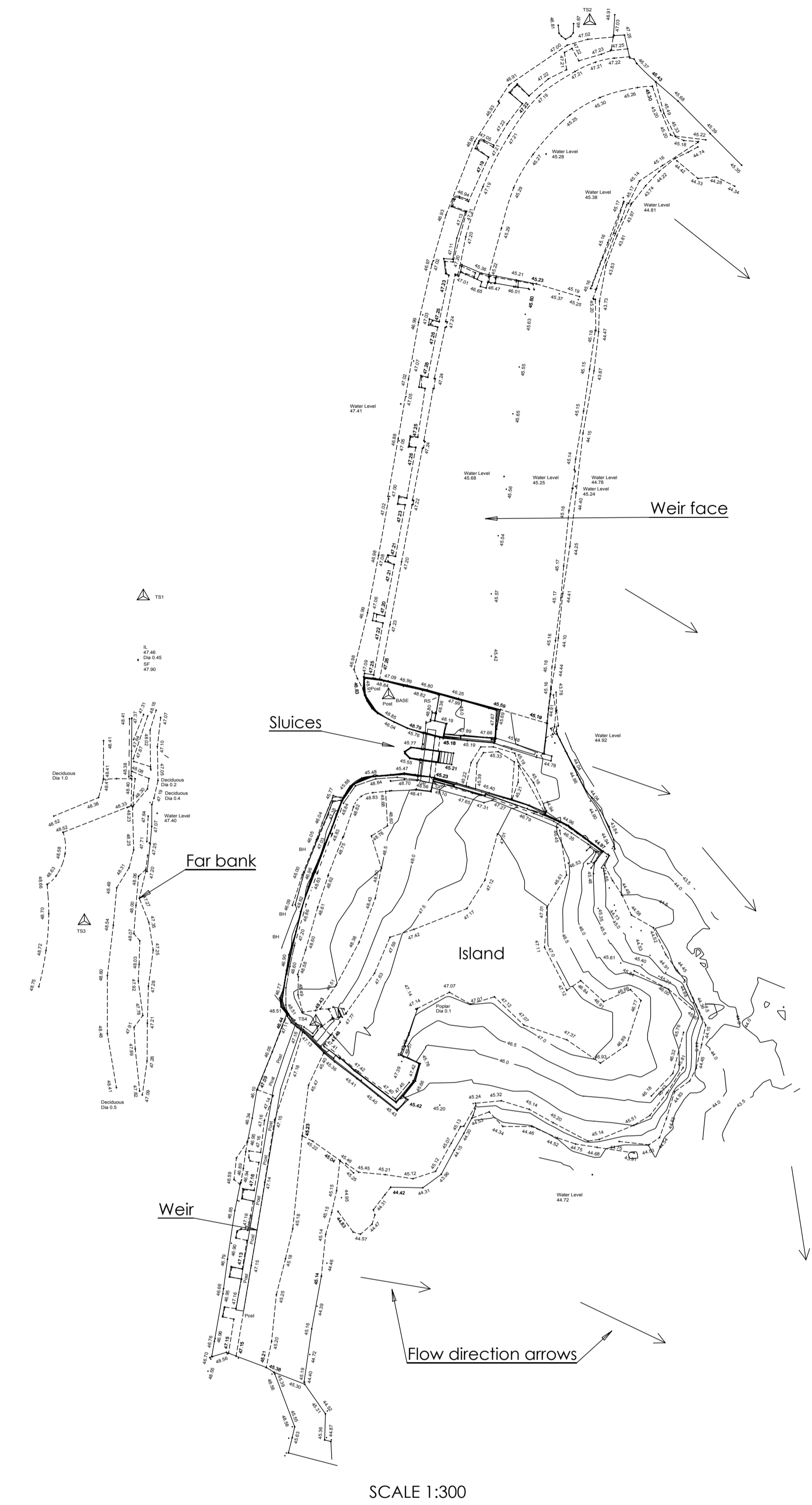
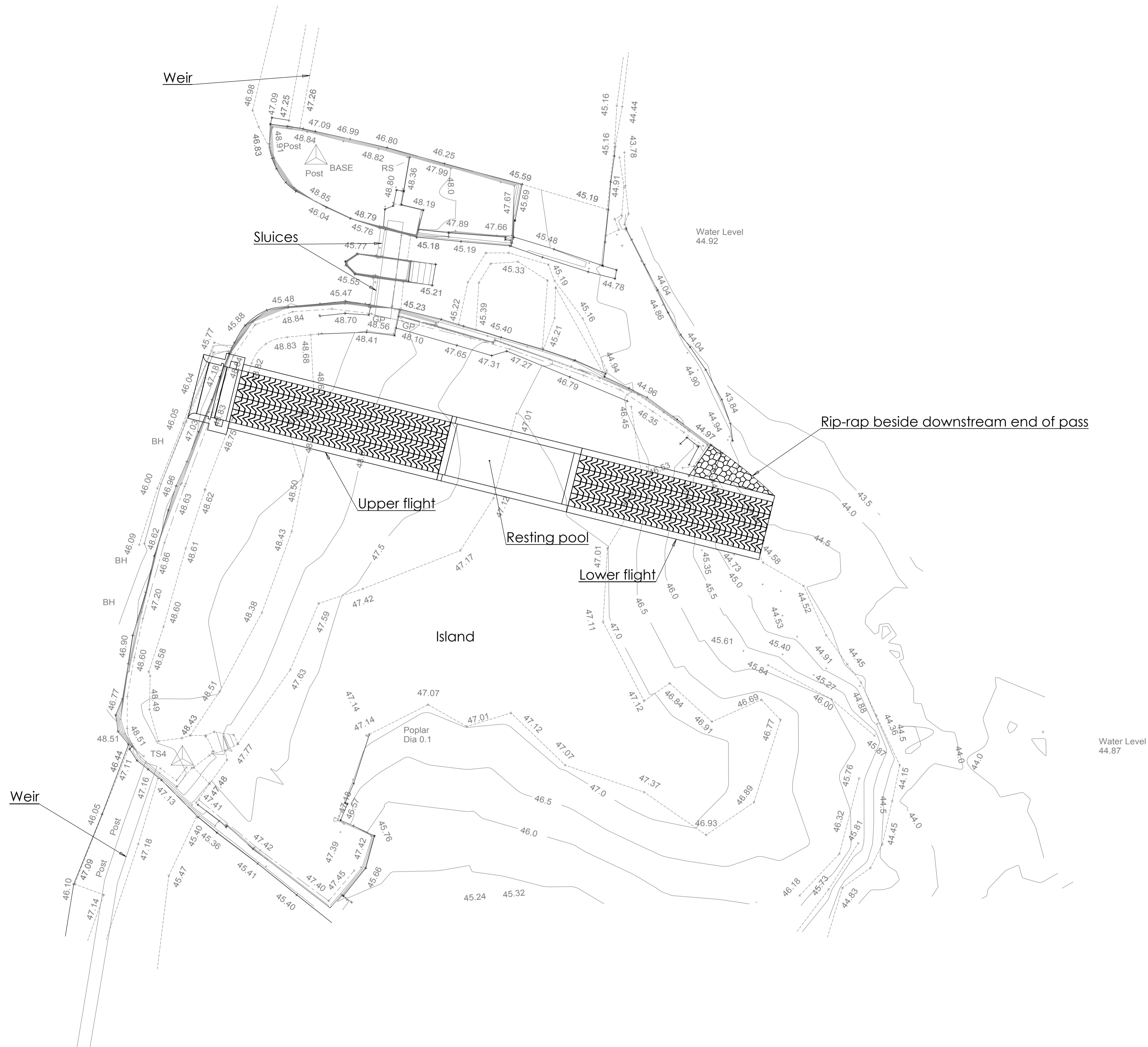


FISHTEK 
CONSULTING

Darley Abbey DRAFT

Drawing number: FP01088/2 Revision C 29/02/12
Client: Trent Rivers Trust
Scale 1:40 @ A1
All dimensions in metres

Drawn: FP
Checked: TC
QC: PK



FISHTEK 
 CONSULTING
 Darley Abbey DRAFT

Drawing number: FP01088/3 Revision C 29/02/12
 Client: Trent Rivers Trust
 Scale 1:100 @ A1
 All dimensions in metres

Drawn: FP
 Checked: TC
 QC: PK